

# TIMKEN

The Timken Company

4500 Mt Pleasant St. NW

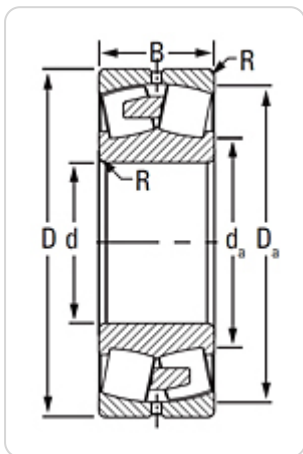
N. Canton, OH 44720

Phone: (234) 262-3000

E-Mail: [CustomerCAD@timken.com](mailto:CustomerCAD@timken.com) (mailto:CustomerCAD@timken.com) • Web site: [www.timken.com](http://www.timken.com) (http://www.timken.com)

All Product Types > Bearings > Roller Bearings > Timken® Spherical Roller Bearings > Spherical Roller Bearings - Brass Cage (/viewitems/spherical-roller-bearings/spherical-roller-bearings-brass-cage)

## Part Number 22248EMBW33W45AC3, Spherical Roller Bearings - Brass Cage



### Key Features

- Longer bearing life achieved from higher capacity (vs. competitors)
- Longer lubrication life achieved from lower operating temperatures due to reduced internal friction and running torque from cage guided rollers
- Better contaminant purging from slots on cage face helps extend bearing life

- Greater fatigue strength and increased wear resistance provide tougher protection against shock and acceleration loading from a brass cage

## Key Dimensions

Bore (d)	240 mm
O.D. (D)	440 mm 17.323 in
Width (B)	120 mm 4.724 in
Dynamic Radial Load Rating - 1M Revs (C1)	2330000 N 524000 lbf
e Factor <sup>1</sup>	0.27

## Other Dimensions

Max Shaft Fillet Radius <sup>2</sup>	3 mm 0.120 in
Shaft Backing Shoulder Diameter	283.000 mm 11.100 in
Housing Backing Shoulder Diameter	395 mm 15.6000 in
Design Unit	Metric

## Ratings

Static Radial Load Rating (C0)	2950000 N 663000 lbf
Thermal Reference Speed - Grease	1200 rpm
Thermal Reference Speed - Oil <sup>3</sup>	1400 rpm

# Factors

Y0 Factor <sup>4</sup>	2.41
Y1 Factor <sup>5</sup>	2.46
Y2 Factor <sup>6</sup>	3.67
Geometry Factor (Cg) <sup>7</sup>	0.1117

<sup>1</sup> These factors apply for both inch and metric calculations. Consult your Timken representative for instruction on use.

<sup>2</sup> Maximum housing fillet radius that bearing corners will clear.

<sup>3</sup> See thermal speed ratings in the engineering section.

<sup>4</sup> These factors apply for both inch and metric calculations. See engineering

<sup>5</sup> These factors apply for both inch and metric calculations. Consult your Timken representative for instruction on use.

<sup>6</sup> These factors apply for both inch and metric calculations. Consult your Timken representative for instruction on use.

<sup>7</sup> Geometry constant for Lubrication Life Adjustment Factor a3l.