



Image may differ from product. See technical specification for details.

## TXL 230

### Lip seal with internal gap-type seal

These seals provide effective sealing against many contaminants and allow for some grease to be purged when relubricating the bearing. Benchmark testing has proven low friction and outstanding service life. In highly contaminated environments, they provide the first barrier in a three-barrier solution. When ordering, please note that one item (seal pack) contains two seals (pre-cut).

- Stiff and robust seal design using a high-performance proprietary material
- Very good protection from contamination
- Keep the lubricant in the housing and allow grease purging
- Low friction
- Seals made of alternative materials can be produced by SKF SEAL JET systems

## 개요

### 치수

축 직경	165 mm
하우징 홀 직경	202.5 mm
너비	15 mm

### 속성

액세서리 유형	하우징 씬
씰링 유형	립
재료	ECOPUR

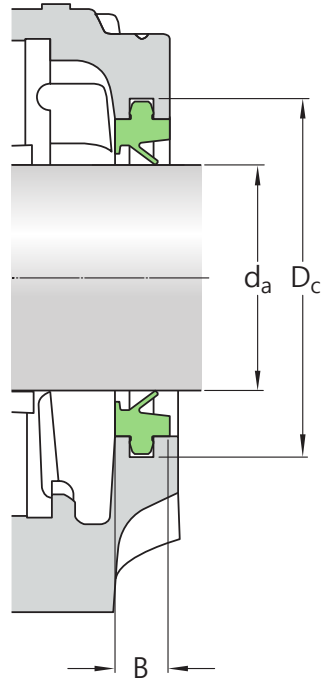
### 물류

제품 순 중량	0.16 kg
eClass 코드	23-05-17-90
UNSPSC 코드	31171519

# 기술 사양

재료

ECOPUR



## 치수

$d_a$	165 mm	축 직경
$D_c$	202.5 mm	씰 홈 직경
B	15 mm	너비

## 온도와 속도

작동 온도	min. -30 °C
작동 온도	max. 110 °C
원주 속도	max. 11 m/s

이용약관